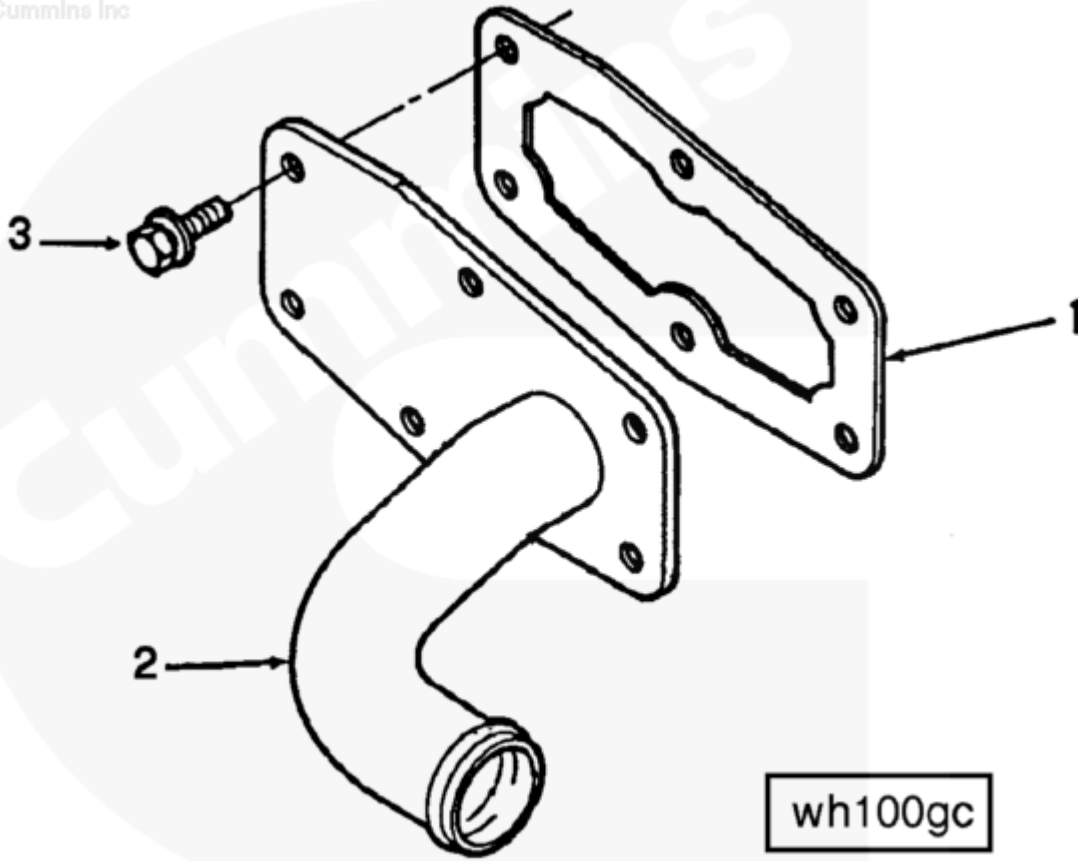




Parts Catalog - Option Detail

Electronic Parts Catalog - Option Detail				
Option	Group	Graphic	Film Card	Date
WM1705	08.07.3	wh100gc	F	22-AUG-84
Engines	NH/NT 855, NT495, NT743, NTA855 N106			

©Cummins Inc



SMALL | MEDIUM | LARGE

Cart	Ref No	Part Number	Part Description	Required	Remarks
View My Cart					
		WM1705	Water Header Cover		
					Water Header Cover
					Extended rear water header
					cover for use with marine
					gear oil cooler. (No

					aftercooler plumbing).
<input type="checkbox"/>	1	70089 1	Cover Plate Gasket	1	
<input type="checkbox"/>	2	3010335	Water Outlet Connection	1	
<input type="checkbox"/>	3	3013904	Captive Washer Cap Screw	6	1/2 - 20 x 5/8 in.

© 2019 Cummins Inc., Box 3005, Columbus, IN 47202-3005 U.S.A.
 Terms of Use and Disclaimers | Recommended System Requirements
 Need Assistance? Please click on the Contact Us button in the top right corner of any page.